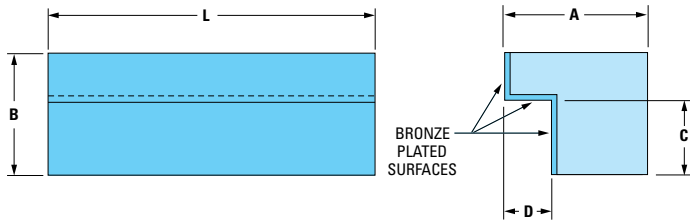


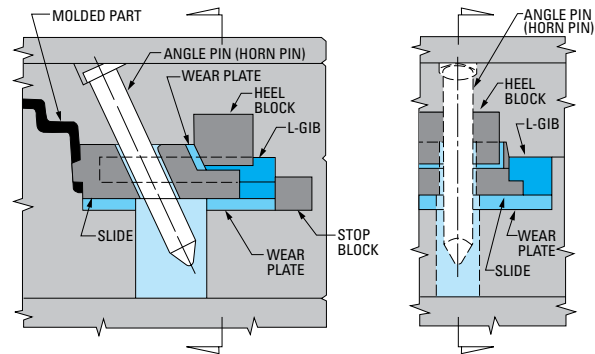
Bronze-Plated L-Gibs | Self-Lubricating L-Gibs



Bronze-Plated L-Gibs – LGB

ITEM NUMBER	A WIDTH	B HEIGHT	C $\begin{smallmatrix} +.001 \\ -.000 \end{smallmatrix}$	D $\begin{smallmatrix} +.001 \\ -.000 \end{smallmatrix}$	L LENGTH	APPROX WEIGHT (LBS)
LGB-1001	.750	.485	.3125	.1875	8.75	0.75
LGB-2001	1.000	.610	.375	.250	10.00	1.50
LGB-3001	1.250	.860	.500	.375	12.50	3.20
LGB-4001	1.500	1.235	.750	.500	15.00	6.30
LGB-5001	2.000	1.470	.875	.625	24.00	16.25
LGB-6001	2.500	1.970	1.250	.750	32.00	36.25
LGB-7001	3.000	2.470	1.500	1.000	48.00	80.50

Typical Applications of L-Gibs and Wear Plates



Self-Lubricating L-Gibs – SLG

Material: Aluminum Bronze with Graphite Plugs
Hardness: 179 Bhn

ITEM NUMBER	H	A	L	B	C	D
SLG1001	.75	.75	5.25	.312	.187	.56
SLG1002	.75	.75	7.00	.312	.187	.56
SLG1003	.75	.75	8.75	.312	.187	.56
SLG2001	.75	1.00	6.00	.375	.250	.75
SLG2002	.75	1.00	8.00	.375	.250	.75
SLG2003	.75	1.00	10.00	.375	.250	.75
SLG3001	.88	1.25	6.00	.500	.375	.88
SLG3002	.88	1.25	7.50	.500	.375	.88
SLG3003	.88	1.25	10.00	.500	.375	.88
SLG3004	.88	1.25	12.50	.500	.375	.88
SLG4001	1.25	1.50	6.00	.750	.500	1.00
SLG4002	1.25	1.50	9.00	.750	.500	1.00
SLG4003	1.25	1.50	12.00	.750	.500	1.00
SLG4004	1.25	1.50	15.00	.750	.500	1.00
SLG5001	1.50	2.00	8.00	.875	.625	1.37
SLG5002	1.50	2.00	12.00	.875	.625	1.37
SLG5003	1.50	2.00	16.00	.875	.625	1.37
SLG6001	2.00	2.50	12.00	1.25	.750	1.75
SLG6002	2.00	2.50	18.00	1.25	.750	1.75
SLG6003	2.00	2.50	24.00	1.25	.750	1.75
SLG7001	2.50	3.00	12.00	1.50	1.000	2.00
SLG7002	2.50	3.00	18.00	1.50	1.000	2.00
SLG7003	2.50	3.00	24.00	1.50	1.000	2.00

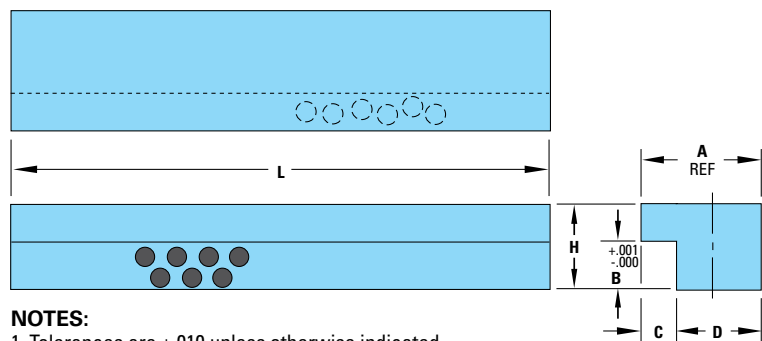
All items in stock.

- Low coefficient of friction
- No pre-drilled holes – allows flexibility in mounting patterns
- Close tolerance



D-M-E Self-Lubricating L-Gibs provide a long-lasting wear surface for high-production molds using slides and cams. L-Gibs are easy to machine and can be shaped to any configuration, requiring no special tools.

They are supplied with no pre-drilled holes, providing the designer with flexibility in mounting patterns. This allows the designer to work around water lines and other components in the mold.



- NOTES:**
1. Tolerances are $\pm .010$ unless otherwise indicated.
 2. Graphic plug pattern varies by product size.

- WHEN ORDERING, PLEASE SPECIFY:**
1. Item Numbers from charts
 2. Quantity
 3. Method of shipment